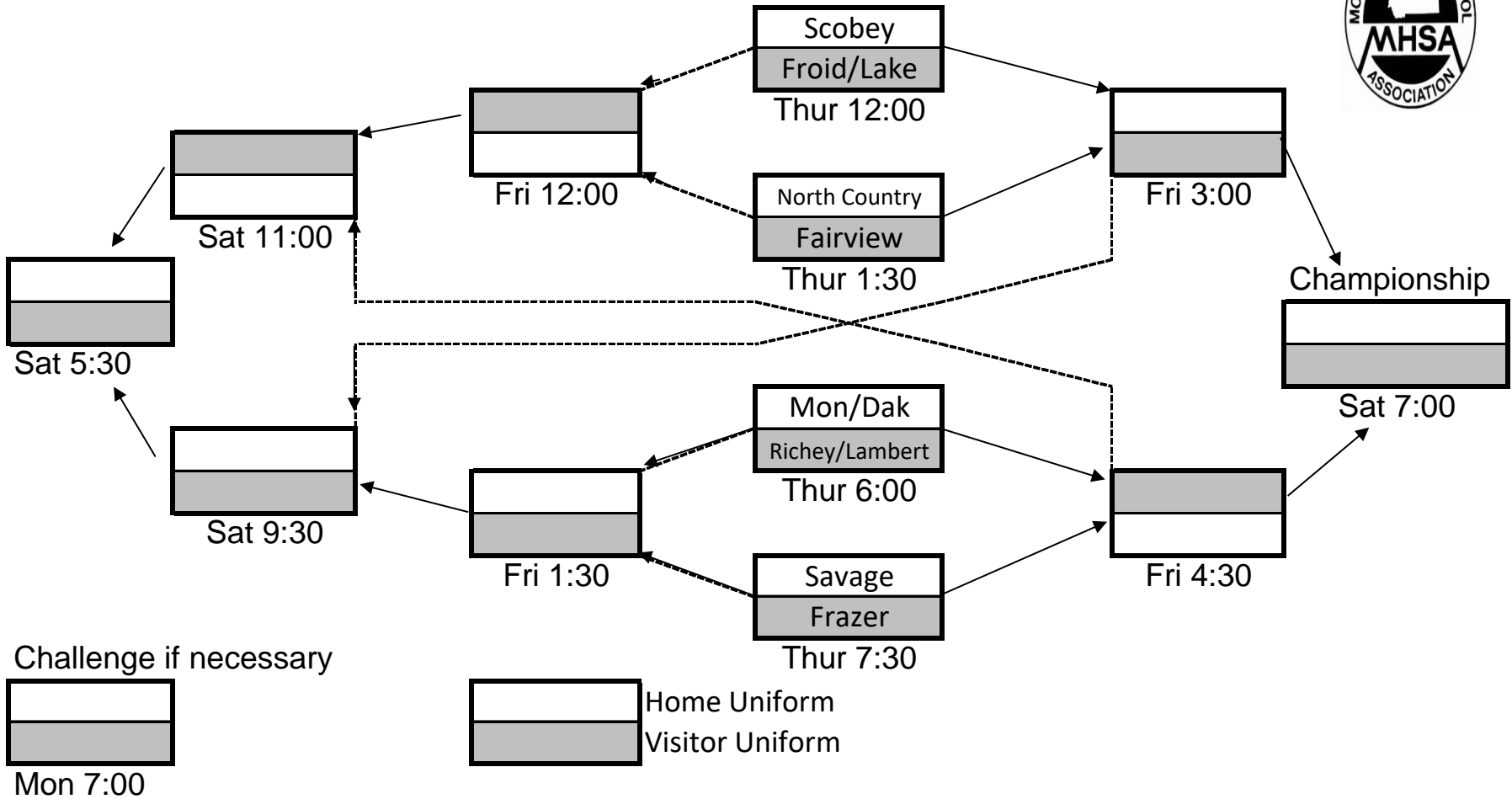


**BOYS BRACKET- Eastern C**  
**Feb 23-25**



**GIRLS BRACKET- Eastern C  
Feb 22-24**

